

930H

Wheel Loader

CATERPILLAR®



Cat® C6.6 Engine with ACERT™ Technology

Max. Gross power 121 kW/165 hp

Weight

Operating Weight 13 170 kg

Buckets

Bucket Capacity 2.1-5.0 m³

930H Features

Loader Linkage

Cat exclusive VersaLink™ Loader Linkage delivers strength and versatility to help you do more tasks, faster. The high lift linkage option takes you places others can't reach.

High Performance Power Train

Designed and manufactured by Caterpillar to allow superior power and durability.

Powerful Hydraulic System

System senses work demand and adjusts flow and pressure to match for precise, efficient control.

Comfortable Cab

Large, spacious cab and low-effort, ergonomic joystick controls let you concentrate on your work.

Work Tools

Make your 930H the most versatile machine on the jobsite with Caterpillar's broad range of work tools.



Contents

VersaLink Loader Linkage	3
Power Train	4
Hydraulics	5
Operator Station	6
Work Tools	7
Serviceability	8
Customer Support	8
Specifications	9
Standard and Optional Equipment	15

The Cat® 930H Wheel Loader leads the industry in operator comfort, performance and versatility. Size, power, performance and work tool interchangeability make this machine ideal for a wide range of jobs. Fast cycle times help you move more material. Large spacious cab with joystick control keeps you comfortable throughout the work day, allowing you to get more done. Loader design delivers strength and durability with superior control and unmatched versatility. Discover how much more you can get done with the new 930H.

VersaLink™ Loader Linkage

Loader design delivers unmatched versatility.

Linkage Design

The Cat exclusive VersaLink™ design provides toolcarrier controllability, versatility and parallel lift with the strength, durability and speed of a Z-Bar linkage. The 930H can be configured in several ways:

- Equipped with a Quick Coupler for quick and easy work tool changes providing optimum utility and versatility.
- Equipped with pin-on work tools, such as a bucket, for a dedicated wheel loader application with exceptional breakout force, tipping load and dump height.
- Equipped with the High Lift VersaLink loader linkage option for special applications that require more reach and lift height.

Loader Performance

The VersaLink loader linkage is designed for exceptional loader performance in a wide range of applications, offering:

- Simultaneous tilt, lift and auxiliary hydraulics function for precise control of the work tool.
- Increased breakout force to shorten cycle times and increase bucket fill factors.
- Higher dump clearance for working in “high target” situations that ordinary loaders cannot.
- More dig depth for better excavation performance, even when equipped with larger tires.
- Greater rackback angle for improved material retention, resulting in higher productivity.
- Greater dozing angle for improved control of material when fine grading.

Parallel Lift

Parallel lift simplifies working with palletized or stacked material. Operators can concentrate on material placement while the load automatically remains parallel throughout the lift range. Whilst easily manipulating loads at all heights.

High Lift Version

Special applications call for special equipment. The optional High Lift VersaLink loader linkage provides an additional clearance of 483 mm and is ideal for jobs that require higher lift of lighter materials. The high lift VersaLink is available in both pin-on and quick coupler versions.





Power Train

Delivers maximum rimpull to the ground and full power to loader hydraulics.

Cat Engine

The Cat C6.6 engine provides cleaner, quieter operation while delivering superior performance and durability. The 112 kW (152 hp) rated net power engine meets all worldwide emissions standards and features: flatter power curve for outstanding response in the working RPM range and patented ACERT™ Technology combined with common rail fuel system, smart waste gate turbocharger and crossflow head design for reduced emissions.

Cat Axles

Heavy-duty axles feature hardened gears and bearings for durable performance. Rear axle oscillates up to 12 degrees to help assure four-wheel ground contact for optimum traction and stability. Standard full locking front axle differentials enable outstanding traction in poor underfoot conditions. Rear axle limited slip differential also available as an option.

Cat Transmission

Rugged Cat transmission uses heavy-duty components for durable and reliable operation. The operator can choose between manual shift and two autoshift modes, Performance or Economy. Performance mode provides maximum acceleration while the economy mode increases fuel economy and improves operator comfort.

Hydraulics

Modular system provides high efficiency with low effort, precise control.



Load-Sensing Hydraulics

Modular hydraulic system delivers precise control with low effort operation. This load-sensing, variable flow system senses work demand and adjusts flow and pressure to match. This allows full hydraulic forces at any engine speed for delicate jobs in tight areas. Combined with the VersaLink linkage, the hydraulic system allows simultaneous lift, tilt and auxiliary hydraulic function.



Auxiliary Hydraulics

Auxiliary hydraulics provide unparalleled versatility allowing you to select the configuration that best suits your application. Third function only or packaged with fourth enables the use of almost all work tools. Fifth and sixth function hydraulics are also available for responsive independent positioning of work tools with multiple hydraulic cylinders such as snow plows with hydraulically movable snow wings.



Optional Joystick with Integrated Third Function Controls

An optional joystick combines lift and tilt functions with transmission controls and third function auxiliary hydraulic controls in one ergonomic joystick. This allows the operator to maintain control of the load linkage while operating hydromechanical tools. The system can operate in two modes: the Work Tool and Continuous Flow mode, which allows bi-directional flow to be controlled with a thumbwheel, and the Continuous Flow mode, which provides infinitely variable flow to tools with hydraulic motors.



Ride Control System

The optional Ride Control System provides a comfortable ride and excellent material retention.

Four nitrogen charged accumulators set to different pressures enable optimum cushioning over uneven terrain for all loads and speeds.

The system operates in Automatic; as the loader ground speed exceeds 5 km/h the system will activate, below 5 km/h the system is off, providing maximum lift power.



Operator Station

Superior comfort keeps you productive, all day long.

Experience comfort and convenience in the H-Series cab. The spacious interior and ergonomic controls keep you comfortable throughout the work day. Choose the seat that meets your needs – the standard, fully adjustable seat or the optional Cat Contour seat for added adjustment and air suspension. The two-door design lets you enter and exit from either side of the machine and wide, serrated steps provide stable footing. Both doors lock open 180 degrees and feature sliding glass windows for better communication with workers on the ground. Large flat glass windows provide excellent visibility all around the machine. The rear window features a standard electric defroster.

Controls

Low effort, ergonomic joystick controls provide easy operation of lift and tilt functions. The standard joystick features an integrated directional control switch for added convenience. The operator programmable transmission neutralizer can be set in seconds optimizing brake effort for all applications.

Instrument Panel

The sealed instrument panel with easy to read white faced gauges and indicators keeps the operator informed of system conditions. The large LCD readout provides hydraulic oil temperature, engine coolant temperature, ground speed, torque converter temperature and fuel level.

Optional Rear View Camera

This work area visual enhancement system uses a closed circuit video monitoring system. Up to three cameras can be mounted on the machine frame. Objects can be viewed on a color LCD monitor in the cab.

Optional Dual Mode Steering

The operator can select traditional steering or QuickSteer mode for faster, low effort truck loading. QuickSteer requires only 50 degrees steering wheel deflection for full articulation drastically reducing operator effort.

Work Tools

Do more jobs with one machine with Cat Work Tools.

The Right Tool for the Job

The wide variety of work tools offered by Caterpillar makes the 930H one of the most versatile machines on the jobsite. Work tools can be changed quickly and easily with the machine's quick coupler system. A switch in the cab activates a hydraulic cylinder for positive tool engagement and disengagement.

Bucket Work

With exceptional rimpull and high breakout and lift forces, the 930H delivers strong performance as a bucket loading machine. A wide range of Cat buckets are available including:

- General purpose
- Penetration
- Light material
- Multi Purpose

Material Handling

The exceptional visibility and heavy-lift capabilities of the 930H let you work quickly and efficiently in material handling applications. A wide range of tools are available:

- Standard width carriage with pallet forks – various lengths available
- 2440 mm wide carriage with various lengths available
- Offset forks for improved tip visibility
- Material handling arm

Special Applications

Caterpillar also offers other work tools designed to meet specific job requirements:

- Hydraulic brooms

Work tool availability varies by region.



Serviceability

Easy access and minimal maintenance requirements keep your machine on the job.



Convenient service features make maintenance easy

All service points are accessible from ground level on the right side of the engine. Gull-wing doors with gas struts lift for exceptional access to filters and service points. Extended service intervals reduce service time and increase machine availability.

- Sight gauges let you easily check radiator coolant, hydraulic oil and transmission oil levels as well as engine air filter restriction without opening the air cleaner.
- Standard pressure taps allow quick diagnosis of the entire hydraulic system.
- S•O•SSM ports make oil sampling quicker, cleaner and provide the best oil sample for analysis.
- Spin-on filters for engine oil, transmission oil and hydraulic oil are vertically mounted for easier servicing.
- 930H features a standard electronic fuel prime pump.
- Sequentially placed radiator and oil coolers are easy to access.
- Swing-out cooling fan allows quick and easy cleaning and servicing of the radiator. The fan is hydraulically driven and separate from the engine compartment for low noise operation.
- Optional reversing fan cleans screens without interrupting machine operation.

Customer Support

Unmatched support makes the difference

Your Cat dealer is ready to assist you with your purchase decision and everything after.

- Make comparisons of machines, with estimates of component life, preventative maintenance and cost of production.
- Financing packages are flexible to meet your needs.
- Your Cat dealer can evaluate the cost to repair, rebuild and replace your machine, so you can make the right choice.
- For more information on Cat products, dealer services and industry solutions, visit us at www.cat.com.



930H Wheel Loader Specifications

Engine

Model: Cat® C6.6 ACERT™, 6 cylinder, turbocharged, direct injection, 2300 rpm rated speed

Rated Power

Net: ISO 9249 and 80/1269/EEC	112/152 kW/hp
Gross: ISO 14396	113/154 kW/hp

Max. Power

Net: ISO 9249 and 80/1269/EEC	120/163 kW/hp
Gross: ISO 14396 and SAE J1995	121/165 kW/hp

Peak torque

Net: ISO 9249 and 80/1269/EEC	738 Nm
Gross: ISO 14396	742 Nm

Bore	105 mm
Stroke	127 mm
Displacement	6.6 L

- Net Power ratings are tested at the reference conditions for the specified standard.
- Net power shown is the power available at the flywheel when the engine is equipped with alternator, air cleaner, muffler and fan at minimum speed.
- No derating required up to 3000 m altitude. Auto derate protects hydraulic and transmission systems.
- The Caterpillar® C6.6 engine meets Stage III off-highway emission regulations.

Buckets

Bucket capacities 2.1-5.0 m³

Weight

Operating weight 13 170 kg

- Specifications shown are for 930H with optional counterweight, standard lubricants, full fuel tank, deluxe cab, Limited Slip rear axle with heavy duty brakes, additional guarding, 2.3 m³ bucket with bolt-on cutting edge, 80 kg operator and 20.5 R 25 (L-3) XHA tires and quick coupler.

Steering

Steering articulation	40°
Minimum turning radius (over tire)	5257 mm
Steering angle, each direction	40°
Steering cylinders, two, bore	70 mm

Hydraulic output at 2300 engine rpm and 69 bar	70 L/min
Maximum working pressure	241 bar

Loader Hydraulic System

Output at 2300 engine rpm and 69 bar with SAE 10 W oil at 65° C	220 L/min
Hydraulic cycle time	9.5 Seconds
Pump flow – implement pump	220 L/min
Relief pressure – implement pump	259 bar
Maximum working pressure	259 bar
Hydraulic cycle time	Seconds
Raise	5
Dump	1.7
Lower, empty, float down	2.8
Total	9.5

Lift cylinders, double acting:

Bore	114.3 mm
Stroke	777 mm

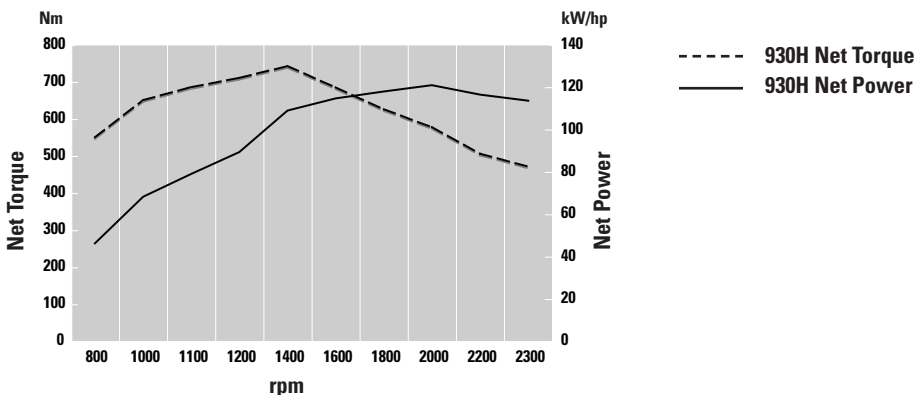
Tilt cylinder, double acting:

Bore	152.4 mm
Stroke	939 mm

Service Refill Capacities

	liter
Fuel tank	225
Cooling system	40
Crankcase	15
Transmission	34.5
Differentials and final drives:	
Front	26
Rear	25
Hydraulic system (including tank)	148
Hydraulic tank	70

Engine Torque



930H Wheel Loader Specifications

Transmission

	km/h
Standard transmission max travel speeds	38
Forward	
1	7
2	12
3	24
4	38
Reverse	
1	7
2	12
3	24

Tires

Size	20.5 R 25 (L-3) XHA
Tread width	2570 mm

- Choice of:

17.5–25, 12 PR (L-2)
17.5–25, 12 PR (L-3)
17.5 R 25 (L-2)
17.5 R 25 (L-3)
20.5–25, 12 PR (L-2)
20.5–25, 12 PR (L-3)
20.5 R 25 (L-2)
20.5 R 25 (L-3)

- Other tire choices are available, contact your Cat® Dealer for details.
- In certain applications, the loader's productive capabilities may exceed the tire's tonnes-km/h (ton-mph) capabilities. Caterpillar recommends that you consult a tire supplier to evaluate all conditions before selecting a tire model.

ROPS/FOPS

- Caterpillar cab with integrated Rollover Protective Structure (ROPS/FOPS) are standard.
- ROPS meets ISO 3471:1994.
- FOPS meets ISO 3449:1992 Level II.

Sound

Operator Sound

The operator sound level measured according to the procedures specified in ISO 6394:1992 is 74 dB(A), for cab offered by Caterpillar, with doors and windows closed.

Exterior Sound

As manufactured by Caterpillar, this machine's exterior sound power level meets the criteria spelled out in the European Directives noted on the certificate of conformance and the accompanying labeling.

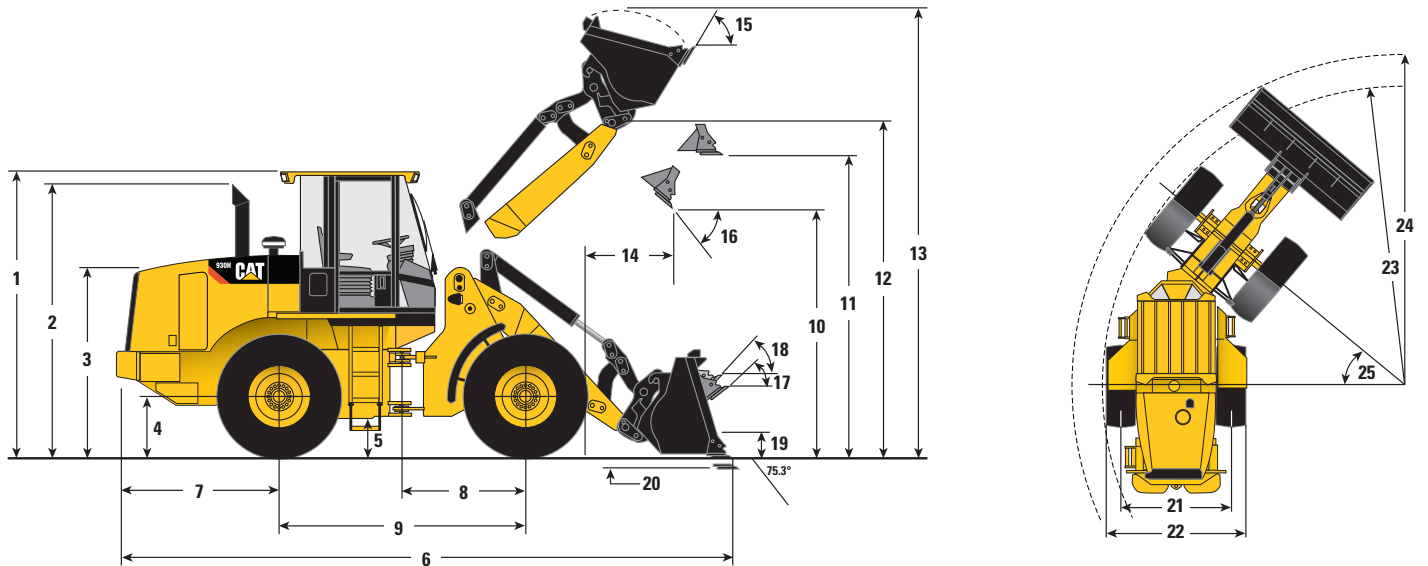
- Standard version 105 dB(A)
- Low sound or Blue Angel version 101 dB(A)

Operating Specifications

Static tipping load (full turn)	8310 kg
Reach – full lift/	
45 degree dump angle	1070 mm
Dump clearance – full lift/	
45 degree dump angle	2927 mm
Articulation angle (each side)	40°

Dimensions

All dimensions are approximate. Dimensions may vary with bucket. Refer to Operating Specifications.



	Standard VersaLink	High Lift VersaLink	
1 Height to top of ROPS/FOPS	3278 mm	3278 mm	
2 Height to top of exhaust stack	3205 mm	3205 mm	
3 Height to top of hood	2234 mm	2234 mm	
4 Height to centre of axle	685 mm	685 mm	
5 Ground clearance	411 mm	411 mm	
6 Overall length	7601 mm	8080 mm	
7 Length - rear axle to bumper	1988 mm	1988 mm	
8 Centre line of front axle to hitch	1450 mm	1450 mm	
9 Wheel base length	2900 mm	2900 mm	
10 Dump clearance at maximum lift and 45° dump angle	2833 mm	3333 mm	
11 Bucket clearance at maximum lift and carry	3667 mm	4169 mm	
12 Bucket pin height at maximum lift	4049 mm	4549 mm	
13 Overall height - bucket raised	5303 mm	5803 mm	
14 Reach at maximum lift and 45° dump angle	934 mm	934 mm	
15 Rack back angle at maximum lift	60°	62°	
16 Dump angle at maximum lift	45°	45°	
17 Rack back angle at ground	51°	52°	
18 Rack back angle at carry	53°	57°	
19 Carry height	428 mm	577 mm	
20 Digging depth	201 mm	216 mm	
	20.5 R 25 (L3) Tires	20.5 R 25 (L2) Tires	17.5-25 12 PR (L2) Tires
21 Width at tread center	1850 mm	1850 mm	1950 mm
22 Overall width over tires	2470 mm	2404 mm	2407 mm
23 Minimum turning radius over tires	5225 mm	5186 mm	5186 mm
24 Minimum turning radius over bucket at ground level	5918 mm	5910 mm	5933 mm
25 Steering angle - left/right	40°	40°	40°
Change in vertical dimension	no change	+21 mm	-44 mm

Dimensions listed are for 930H with 2.1 m³ coupler bucket with bolt-on cutting edge, cab with A/C, optional counterweight, limited slip axles, heavy duty rear brakes, additional guarding, sound suppression, 80 kg operator and Michelin 20.5 R 25 L-3 XHA tires.

930H Wheel Loader Specifications

Dimensions with Pallet Forks

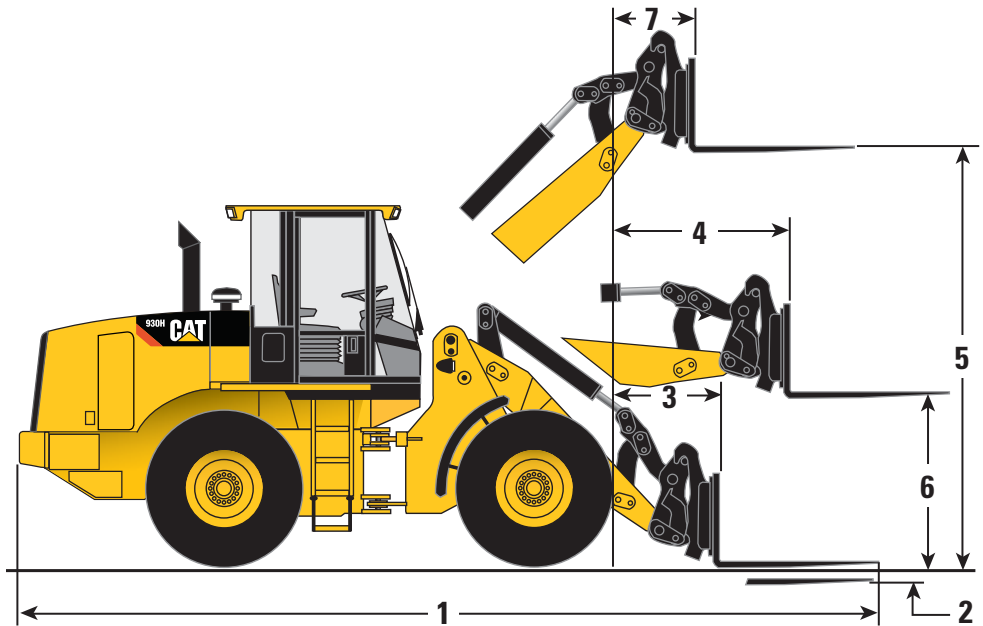
All dimensions are approximate. Dimensions may vary with fork length. Refer to Operating Specifications chart below.

Standard VersaLink Fork Tine Length

	mm	mm	mm
	1220	1370	1524
1	7854	8019	8158
2	-28	-28	-28
3	994	1010	994
4	1693	1708	1693
5	3889	3903	3889
6	1861	1875	1861
7	772	787	772

High Lift VersaLink

	mm	mm	mm
1	8360	8525	8664
2	-43	-43	-43
3	1500	1516	1500
4	2086	2101	2086
5	4389	4403	4389
6	1861	1875	1861
7	772	787	772



Operating Specifications with Pallet Forks

	Fork Tine Length 1220 mm	Fork Tine Length 1370 mm	Fork Tine Length 1524 mm
Standard VersaLink:			
Operating load:			
Per EN 474-3, rough terrain (60% of FTSTL)	3827 kg	3772 kg	3773 kg
Per EN 474-3, firm and level ground (80% of FTSTL)	5102 kg	5029 kg	5030 kg
Load center	600 mm	600 mm	600 mm
Static tipping load with level arms and forks, straight*	7247 kg	6980 kg	6817 kg
Static tipping load with level arms and forks, full 40° turn*	6357 kg	6116 kg	5970 kg
Operating weight*	12 580 kg	12 648 kg	12 670 kg
High Lift VersaLink:			
Operating load:			
Per EN 474-3, rough terrain (60% of FTSTL)	3296 kg	3245 kg	3242 kg
Per EN 474-3, firm & level ground (80% of FTSTL)	4394 kg	4326 kg	4322 kg
Load center	600 mm	600 mm	600 mm
Static tipping load with level arms and forks, straight*	6265 kg	6045 kg	5914 kg
Static tipping load with level arms and forks, full 40° turn*	5477 kg	5278 kg	5160 kg
Operating weight*	12 728 kg	12 796 kg	12 818 kg

* Static tipping and operating weights shown are for 930H with cab with A/C, optional counterweight, limited slip axles, additional guarding, sound suppression, work tool, 80 kg operator and Michelin 20.5 R 25 L-3 XHA tires. Tipping load is defined by SAEJ732 JUN92.

Loader Linkage

Operating specifications with bucket

		Coupler Buckets Bolt-On Cutting Edge						Pin-On Buckets Bolt-On Cutting Edge					
		Standard			High Lift			Standard			High Lift		
Rated bucket capacity *	m ³	2.3	2.5	3.1	2.1	2.3	3.1	2.3	2.5	2.8	2.1	2.3	2.8
Struck capacity *	m ³	1.9	2.1	2.6	1.7	1.9	2.6	1.9	2.1	2.3	1.7	1.9	2.3
Bucket width	mm	2550	2550	2550	2550	2550	2550	2550	2550	2550	2550	2550	2550
10 Dump clearance at full lift and 45° discharge *	mm	2773	2727	2746	3333	3273	3246	2907	2861	2880	3517	3407	3380
14 Reach at full lift and 45° discharge *	mm	995	1040	1250	934	994	1250	923	969	1103	966	923	1103
Reach at 45° discharge and 2130 mm clearance *	mm	1531	1549	1770	1949	1980	2222	1535	1556	1701	2062	1972	2140
Reach with lift arms horizontal and bucket level	mm	2601	2666	2776	2910	2995	3170	2456	2521	2578	2779	2850	2972
20 Digging depth *	mm	201	201	176	216	216	191	157	157	167	165	172	182
6 Overall length	mm	7686	7751	7742	165	8165	8324	7507	7572	7637	7916	7922	8120
13 Overall height with bucket at full raise *	mm	5383	5470	5470	883	5883	6052	5288	5354	5320	5763	5788	5820
24 Loader clearance radius with bucket in carry position *	mm	5848	5865	5552	6080	6105	6147	5781	5798	5817	6011	6034	6075
Static tipping load, straight *	kg	9042	8951	9209	7300	7190	7261	9716	9623	9723	7973	7712	7712
Static tipping load, full 40° turn *	kg	7871	7785	8018	6324	6221	6283	8485	8398	8490	6944	6714	6700
Breakout force *	kN	126	120	110	135	126	110	143	135	129	153	143	129
Operating weight	kg	13 174	13 221	13 171	13 262	13 222	13 319	12 970	13 011	12 969	12 996	13 117	13 116

Static tipping and operating weights shown are for 930H with cab with A/C, optional counterweight, limited slip axles, heavy duty rear brakes, additional guarding, sound suppression, work tool, 80 kg operator and Michelin 20.5 R 25 L-3 XHA tires.

* Specifications and ratings conform to all applicable standards recommended by the Society of Automotive Engineers (SAE), including SAE-Standards J732 JUN92 and J742 FEB85 governing ratings.

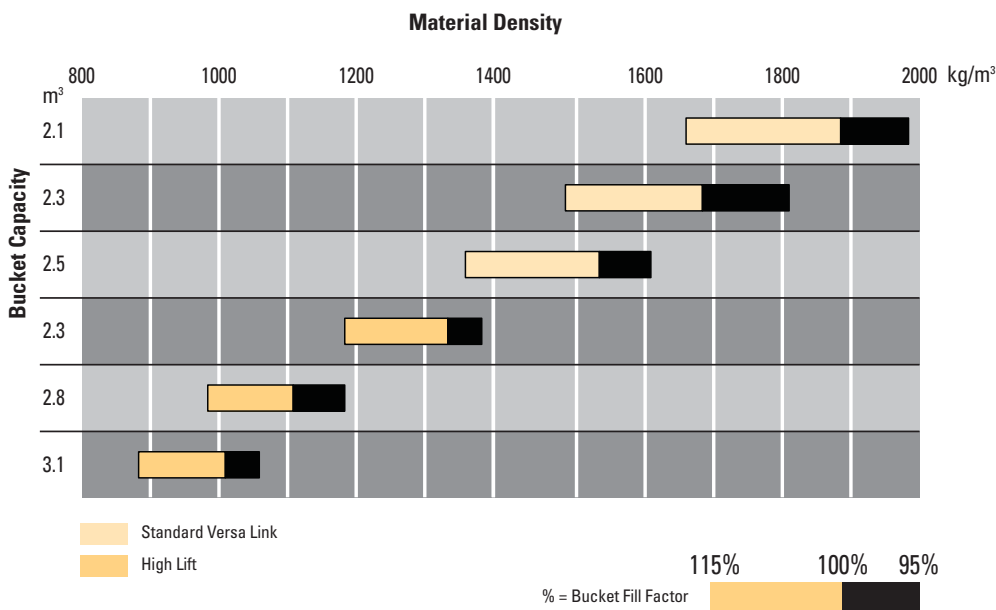
Other Ground Engaging Tools available, consult your Cat dealer.

930H Wheel Loader Specifications

Supplemental Specifications

	Change in Articulated Static Tipping Load with Hook-On Bucket 1.8 m ³	
	Change in Operating Weight	kg
Canopy, ROPS (less cab)	-218	-149
Counterweight, 175 kg (removal)	-470	-658
Guard, crankcase	-16	-20
Guard, driveshaft	-17	-12
Guard, power train	-58	-49
Ride Control System	-45	-24
Secondary steering (removal)	-17	-20
Tires, 1 piece rims		
17.5-25, 12PR (L-2)	-652	-365
17.5-25, 12PR (L-3)	-580	-325
17.5-25, radial (L-2)	-612	-343
17.5-25, radial (L-3)	-512	-287
Tires, 3 piece rims		
17.5-25, 12PR (L-2)	-528	-296
17.5-25, 12PR (L-3)	-456	-253
17.5-25, radial (L-2)	-488	-273
17.5 R25, radial (L-3)	-388	-217
20.5-25, 12PR (L-2)	-240	-134
20.5-25, 12PR (L-3)	-36	-20
20.5-25, radial (L-2)	-172	-96
20.5-25, radial (L-3)	0	0

Bucket Selection – Coupler Buckets



Typical Material Densities – Loose

	kg/m ³
Basalt	1960
Bauxite, Kaolin	1420
Clay	
natural bed	1660
dry	1480
wet	1660
Clay and gravel	
dry	1420
wet	1540
Decomposed rock	
75% rock, 25% earth	1960
50% rock, 50% earth	1720
25% rock, 75% earth	1570
Earth	
dry, packed	1510
wet, excavated	1600
Granite	
broken	1660
Gravel	
pitrun	1930
dry	1510
dry, 6-50 mm	1690
wet, 6-50 mm	2020
Gypsum	
broken	1810
crushed	1600
Limestone	
broken	1540
crushed	1540
Sand	
dry, loose	1420
damp	1690
wet	1840
Sand and clay	
loose	1600
Sand and gravel	
dry	1720
wet	2020
Sandstone	1510
Shale	1250
Slag	
broken	1750
Stone	
crushed	1600

Standard equipment may vary. Consult your Caterpillar dealer for details.

ELECTRICAL

Alternator, 95 A brushless
 Batteries, maintenance-free, 950 CCA, (2)
 Starting and charging system, 24 V
 Halogen work lights (front & rear)
 Ignition key start/stop switch
 Non roading lights
 Starting aid, thermal
 Switch, battery disconnect

OPERATOR ENVIRONMENT

Standard two door cab includes all of the following items:

Heater/defroster
 Radio ready
 12 volt electrical accessory outlet
 Sealed Instrument Gauge:

- Engine RPM
- Hydraulic oil temperature
- Engine coolant temperature
- Torque converter oil temperature
- Fuel level
- Digital LCD speedometer, hour meter/odometer

Indicator Lights:

- Turn signal
- Primary steering malfunction
- Hydraulic oil bypass
- Parking brake applied
- Brake charge pressure low
- Transmission oil temperature
- General warning
- Electrical system voltage low
- Fuel water separator
- Engine oil temperature
- Bright lights activated

Adjustable tilt steering column
 Coat hook
 Ground level door release

Horn, steering wheel mounted (electric)
 Hydraulic control lever lockout
 Interior light
 Lighter
 Lunch box storage with cup holder
 Pilot hydraulic implement controls
 Rear window defroster, electric
 Rear view mirrors (2 inside)
 Seat, adjustable suspension, armrest (fabric or vinyl)
 Seat belt
 Tinted safety glass, front
 Wet arm wiper/washer (front & rear), front intermittent

POWER TRAIN

Engine, Cat C6.6 ACERT

- Low emission diesel engine
- Dust bowl pre cleaner
- Noise reduction technology
- Smart waste gate turbocharged
- Aftercooled
- Closed Circuit Breather
- Electronically controlled

Air cleaner, dry type
 Axle seal guards, integrated
 Brakes, enclosed wet-disc full hydraulic
 Differentials, full locking (front)
 Differentials, conventional (rear)
 Driveshaft, lubed for life
 Electric fuel prime pump
 Engine speed control
 Fuel/water separator
 Muffler
 Radiator, unit serviceable
 S•O•S oil sampling port, engine oil
 S•O•S oil sampling port, transmission oil
 Torque converter

Transmission, 4F/3R, autoshift, single lever control with F/N/R and kickdown button
 Transmission neutralizer; operator programmable

HYDRAULICS

Hydraulic diagnostic connectors
 Heavy duty hydraulic oil cooler
 Hydraulic control, 2-valve, 1-lever with F/N/R
 Load-sensing hydraulic system
 Load-sensing steering system
 S•O•Ssm oil sampling port, hydraulic oil

OTHER STANDARD EQUIPMENT

Antifreeze/coolant, extended-life protects to -36° C
 Automatic bucket positioner/fork positioner
 Brakes, secondary and parking
 Counterweight
 Coupler controls and lines
 Engine enclosure, lockable
 Fenders, front
 Hitch, recovery
 Loader linkage, VersaLink
 Lift kickout, automatic
 Machine Security System ready
 Product Link ready
 Remote grease lines
 Steering stops, cushioned
 Swing-out, hydraulically driven demand fan
 Vandalism protection, lockable service points
 Visual indicators:

- air cleaner service
- coolant level
- hydraulic oil
- transmission oil

930H Optional Equipment

Optional equipment may vary. Consult your Caterpillar dealer for details.

Antifreeze/coolant, extended-life, protects to -50° C

Axles:

- Rear, Limited Slip Differential

Beacon light, rotating or strobe, magneticmount

Buckets/ground engaging tools

Canopy, ROPS

Counterweight, additional, optional

Alarm Back Up.

Air Conditioner,

Roading Lights

Deluxe Cab arrangement includes:

- External heated mirrors
- Sunscreen
- Sun shade
- Sliding glass door windows
- Flood lights, auxiliary, cab mounted

Fan, reversing

Fenders, roading, rear

Fenders, steel

Guards:

- Crankcase
- Driveshaft, front
- Power train
- Lights
- Windshield

• Radiator

Hydraulic control auxiliary; third, fourth, fifth and sixth valve

Integrated third function hydraulic joystick control

Linkage, high lift

Load check valves (dealer installed)

Machine Security System

Material handling arm

Pallet forks, carriage

Pallet forks, carriage, wide version

Quick Coupler, IT style

Quick Coupler, wide

Waste Handler Packages

Speed Limiter 20 km/h

Radiator, wide fin spacing

Radio packages:

- Radio, AM/FM with CD player

Rear-view camera system

Ride Control System

Seats:

- Cat Contour Seat, fabric, with adjustable backrest and lumbar support
- Cat Contour Seat, fabric, electrically adjustable with air suspension

Sound suppression package, available in select markets

Starting aid, engine coolant heater, 220 V

Steering

- Secondary
- Dual Mode

Tires:

- Bias ply, 17.5-25 and 20.5-25
- Radial, 17.5 R 25, 20.5 R 25

930H Wheel Loader

For more complete information on Cat products, dealer services, and industry solutions, visit us on the web at www.cat.com

HEHL3666 (02-2008) hr

Materials and specifications are subject to change without notice. Featured machines in photos may include additional equipment. See your Caterpillar dealer for available options.

© 2007 Caterpillar -- All rights reserved

CAT, CATERPILLAR, their respective logos, "Caterpillar Yellow" and the POWER EDGE trade dress as well as corporate and product identity used herein, are trademarks of Caterpillar and may not be used without permission.

CATERPILLAR[®]